



Ultra Double Eccentric Butterfly Valve

- **Wafer, Lugged and Flanged**
- **PN10, PN16, PN25, PN40**

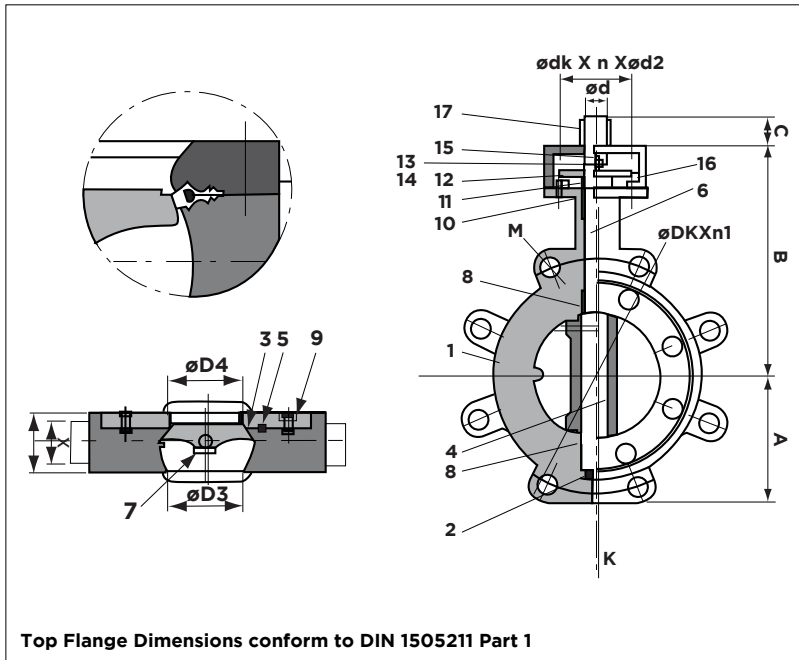
- Bubble Tight Sealing at 10 Bar to 40 Bar working pressures.
- RPTFE Seal Design ensures the higher the pressure the tighter the seal.
- Double Eccentric action of the disc ensures quick release from the seat/seal allowing for low torque opening and closing.
- RPTFE seal makes valve suitable for working temperatures from - 30°C to + 230°C.
- Seal is in the body and out of the flow making the valve suitable for throttling, dirty mine water and dirty acid applications.
- RPTFE seal replacement simple and inexpensive
- Short face to face dimensions.
- All valves have stuffing boxes with PTFE packing for leak proof operation and easy replacement when necessary (no O'rings etc).
- All discs in the range are 316 SS grade CF8M making the valves suitable for Acidic/Alkaline applications.
- Valves bodies are available in Ductile Iron Cast Steel 316 SS and a variety of Exotic Alloys for a wide variety of difficult applications
- Valves available in Wafer, Lugged and Double Flanged styles.



ULTRA
CONTROL VALVES

Ph: +2711 452 6514 • Fax: +2786 547 0555 • E-Mail: peter@ultravalves.co.za
Postal: PO Box 3604, Edenvale 1610 • 31 Plantation Rd, Eastleigh, Edenvale, Gauteng South Africa

Wafer and Lugged



Materials of Construction

1	Body	DI/C3/316SS
2	Spring	Stainless Steel
3	Seat ring/Seal	RPTFE
4	Disc	CF8M
5	Retaining Ring	316SS
6	Shaft	316SS
7	Cylinder Pin	316SS
8	Bush	PTFE
9	Cylinder Screw	416SS
10	Packing	PTFE
11	Gland Bushing	CF8M
12	Gland	CF8M
13	Hexagon Nut	304SS
14	Washer	304SS
15	Stud Bolt	304SS
16	Gland Bolt	CF8M
17	Parallel Key	Steel

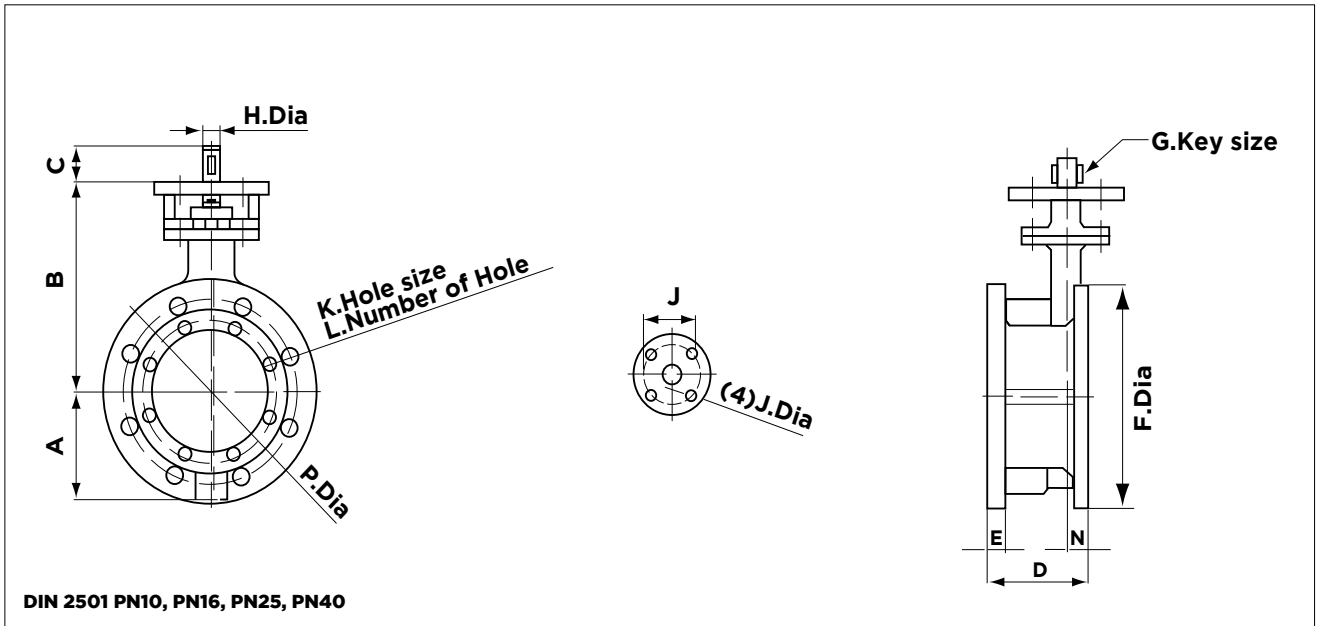
Applications

The valves can be effectively used to isolate and/or modulate a variety of highly corrosive and non-corrosive liquids at working pressures from 10 Bar to 40 Bar and at temperatures from -30°C to + 230°C in pipelines in the Petrochemical, Chemical, Pulp and Paper, Fertilizer, Power Generation, Steel, Mining, Metal Refining, Road and Rail Tanker, Shipping, Water Purification and Water supply Industries.

Dimensions (Wafer and Lugged)

DN	L	A	B	C	ϕd	$\phi D3$	$\phi D4$	X	n1	$\phi dk \times n \times \phi d2$	$\phi Dk \times M$
50	43	76	163	40	14	62	53	30	8	$\phi 70 \times 4 \times \phi 9$	127 x 5/8"
65	46	69	163	40	14	74	63	30	8	$\phi 70 \times 4 \times \phi 9$	149.22 x 3/4"
80	46	76	188	40	16	86	74	33	8	$\phi 70 \times 4 \times \phi 9$	168.27 x 3/4"
100	52	89	209	50	16	108	97	40	8	$\phi 70 \times 4 \times \phi 9$	200.02 x 3/4"
125	56	108	230	50	20	135	120	44	8	$\phi 70 \times 4 \times \phi 9$	234.95 x 3/4"
150	56	125	244	50	20	162	143	44	12	$\phi 70 \times 4 \times \phi 9$	269.87 x 3/4"
200	60	150	273	60	25	210	187	40	12	$\phi 70 \times 4 \times \phi 9$	330.2 x 7/8"
250	68	175	289	60	30	250	236	48	16	$\phi 102 \times 4 \times \phi 11$	387.35 x 1"
300	78	242	342	60	35	303	283	46	16	$\phi 140 \times 4 \times \phi 18$	450.85 x 1-1/8"
350	92	281	358	60	35	354	328	48	20	$\phi 140 \times 4 \times \phi 18$	514 x 1-1/8"
400	102	306	396	80	50	396	376	54	20	$\phi 165 \times 4 \times \phi 22$	571.5 x 1-1/4"
500	127	354	515	110	60	494	473	70	24	$\phi 165 \times 4 \times \phi 22$	685.8 x 1-1/4"
600	154	418	562	130	60	592	570	94	24	$\phi 165 \times 4 \times \phi 22$	812.8 x 1-1/2"

Double Flanged



Dimensions (F,P,K,L to suit Flange drilling)

In	mm	A	B	C	D	E	N	H	J	J1	G	Kg
2"	50	76	163	40	105	20	25	14	70	9	5 x 5 x 30	10
2.5"	65	69	163	40	112	20	26	14	70	9	5 x 5 x 30	10
3"	80	76	188	40	114	22	29	16	70	9	5 x 5 x 30	15
4"	100	89	209	50	127	24	32	16	70	9	5 x 5 x 40	20
5"	125	108	230	50	140	26	34	20	70	9	6 x 6 x 40	26
6"	150	125	244	50	140	26	35	20	102	11	6 x 6 x 40	33
8"	200	150	273	60	152	30	38	25	102	11	8 x 7 x 50	52
10"	250	175	289	60	165	32	43	30	102	11	8 x 7 x 50	78
12"	300	242	342	60	178	32	47	35	140	18	10 x 8 x 50	109
14"	350	281	358	60	190	36	56	35	140	18	10 x 8 x 50	145
16"	400	306	396	80	216	38	59	50	165	22	14 x 9 x 70	185
18"	450	320	478	110	222	40	62	50	165	22	14 x 9 x 70	218
20"	500	394	515	110	229	42	75	60	165	22	18 x 11 x 100	283
24"	600	410	562	130	267	44	79	60	165	22	18 x 11 x 120	424